

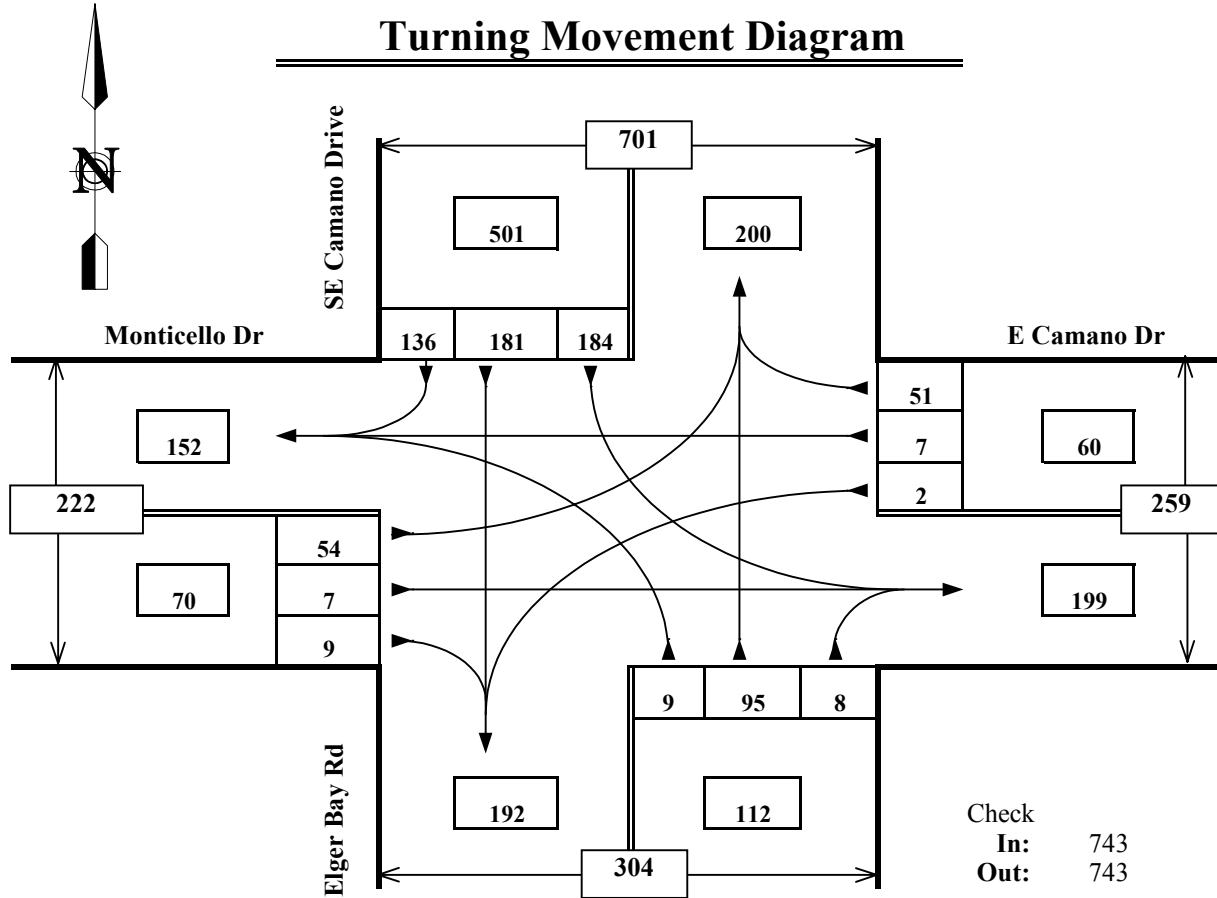


**Traffic Count Consultants, Inc.**

Woodinville, WA 98072

Phone: (425) 861-8866 FAX: (425) 861-8877

## Turning Movement Diagram



**Intersection:** SE Camano Dr @ Elger Bay Rd/E Monticello Dr  
**Location:** Camano Island  
**Date of Count:** Wed 3/2/05  
**Peak Period:** 4:30 P - 5:30 P  
**Checked By:** CMW

**Prepared For:** Island County

	%HV	PHF
<b>EB</b>	1.4%	0.92
<b>WB</b>	0.0%	0.94
<b>NB</b>	0.9%	0.88
<b>SB</b>	0.0%	0.87
<b>Intersection</b>	0.3%	0.93



Traffic Count Consultants, Inc. Woodinville, WA 98072

Phone: (425) 861-8866

FAX: (425) 861-8877

### Vehicle Volume Summary

**Intersection:** SE Camano Dr @ Elger Bay Rd/E Monticello Dr  
**Location:** Camano Island

**Date of Count:** Wed 3/2/05  
**Checked By:** CMW

Time Interval Ending at	From North on (SB) SE Camano Drive				From South on (NB) Elger Bay Rd				From East on (WB) E Camano Dr				From West on (EB) Monticello Dr				Interval Total
	T	L	S	R	T	L	S	R	T	L	S	R	T	L	S	R	
3:45 P	1	19	36	27	0	13	36	13	0	0	2	17	1	3	1	2	169
4:00 P	1	46	51	31	0	2	23	3	1	1	0	12	0	21	5	1	196
4:15 P	1	37	29	24	0	3	30	0	0	0	3	16	0	18	2	8	170
4:30 P	0	35	52	23	0	2	20	1	0	1	2	13	0	6	1	5	161
4:45 P	0	50	41	26	0	2	29	1	0	0	0	15	1	14	2	2	182
5:00 P	0	44	36	35	0	1	27	3	0	1	2	13	0	17	1	1	181
5:15 P	0	54	51	39	1	3	16	2	0	1	4	11	0	11	3	5	200
5:30 P	0	36	53	36	0	3	23	2	0	0	1	12	0	12	1	1	180
5:45 P	0	50	47	29	0	0	10	0	0	0	3	11	0	12	1	1	164
6:00 P	0	30	47	34	0	9	18	1	0	0	1	12	0	18	2	2	174
6:15 P	0	49	37	35	0	2	20	0	0	2	4	20	0	13	3	4	189
6:30 P	0	38	44	28	0	3	14	2	0	0	2	12	0	8	1	3	155
Total Survey	3	488	524	367	1	43	266	28	1	6	24	164	2	153	23	35	2121

#### 4:30 P to 5:30 P Peak Hour Summary

Total	0	184	181	136	1	9	95	8	0	2	7	51	1	54	7	9	743
Approach	501				112				60				70				743
%HV	0%				1%				0%				1%				0%
PHF	0.87				0.88				0.94				0.92				0.93

**PEDESTRIANS :**

North South East West Totals

1					0
2					0
3					0
4					0
5					0
6					0
7					0
8					0
9					0
10					0
	0	0	0	0	0

**Legend:** T= Number of heavy vehicles (greater than 4 wheel  
 L= Left -Turn  
 S= Straight  
 R= Right-Turn  
 HV= Heavy Vehicles  
 PHF= Peak hour Factor (Peak hour volume / (4\*High

**Prepared For:** Island County

TM05b030-01p