

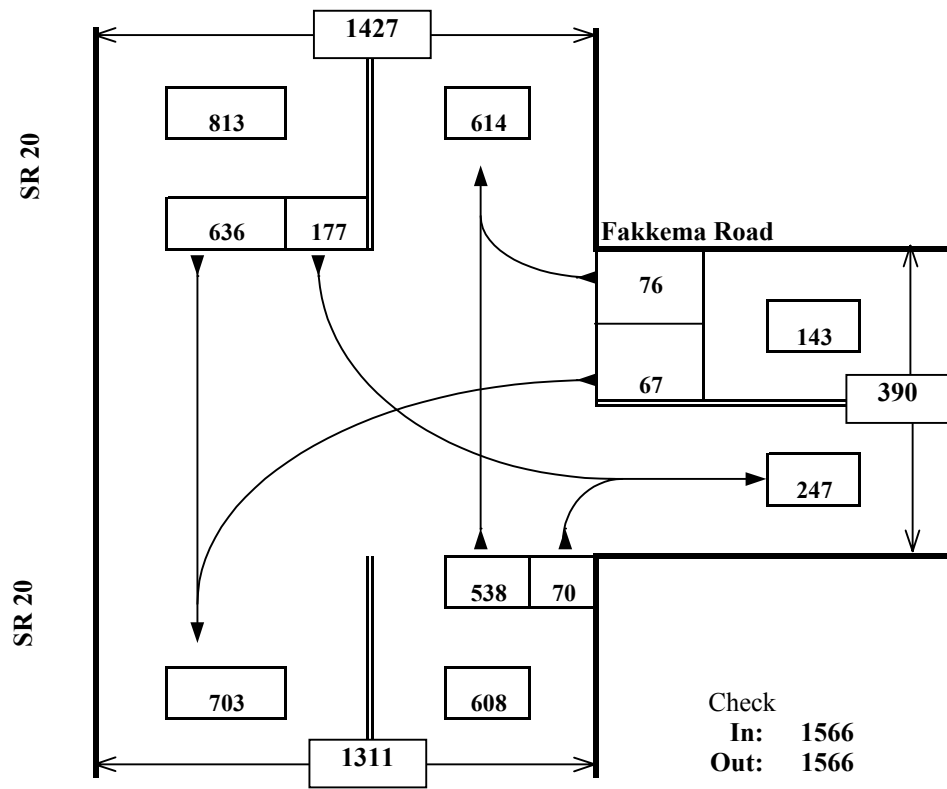


Traffic Count Consultants, Inc.

Woodinville, WA 98072

Phone: (425) 861-8866 FAX: (425) 861-8877

Turning Movement Diagram



Check
In: 1566
Out: 1566

Intersection: SR 20 @ Fakkema
Location: Whidbey Island
Date of Count: Tues 4/15/05
Peak Period: 4:00 P - 5:00 P
Checked By: CMW

Prepared For: Island County

	%HV	PHF
EB	n/a	n/a
WB	1.4%	0.87
NB	2.1%	0.95
SB	1.0%	0.94
Intersection	1.5%	0.96



Traffic Count Consultants, Inc. Woodinville, WA 98072

Phone: (425) 861-8866 FAX: (425) 861-8877

Vehicle Volume Summary

Intersection: SR 20 @ Fakkema
 Location: Whidbey Island

Date of Count: Tues 4/15/05
 Checked By: CMW

Time Interval Ending at	From North on (SB) SR 20				From South on (NB) SR 20				From East on (WB) Fakkema Road				From West on (EB) n/a				Interval Total
	T	L	S	R	T	L	S	R	T	L	S	R	T	L	S	R	
4:15 P	1	34	138	0	4	1	130	29	0	17	0	21	0	0	0	0	370
4:30 P	3	54	155	0	1	1	142	8	2	20	0	21	0	0	0	0	401
4:45 P	2	46	170	0	5	0	133	12	0	11	0	17	0	0	0	0	389
5:00 P	2	43	173	0	3	0	133	21	0	19	0	17	0	0	0	0	406
5:15 P	3	32	139	0	5	1	143	20	0	15	0	14	0	0	0	0	364
5:30 P	2	33	163	0	0	0	146	20	0	11	0	14	0	0	0	0	387
5:45 P	1	37	137	0	1	0	154	22	0	11	0	14	0	0	0	0	375
6:00 P	1	31	133	0	2	0	116	15	2	13	0	14	0	0	0	0	322
6:15 P	1	26	122	0	0	0	118	13	0	10	0	20	0	0	0	0	309
6:30 P	2	27	117	0	0	0	92	13	1	14	0	12	0	0	0	0	275
6:45 P	1	30	109	0	0	0	124	17	0	7	0	9	0	0	0	0	296
7:00 P	0	25	95	0	1	0	116	16	0	9	0	12	0	0	0	0	273
Total Survey	19	418	1651	0	22	3	1547	206	5	157	0	185	0	0	0	0	4167

4:00 P to 5:00 P Peak Hour Summary

Total	8	177	636	0	13	2	538	70	2	67	0	76	0	0	0	0	1566
Approach	813				610				143				0				1566
%HV	1%				2%				1%				n/a				1%
PHF	0.94				0.95				0.87				n/a				0.96

PEDESTRIANS ACROSS:

Interval: 1
 2
 3
 4
 5
 6
 7
 8

Legend: T= Number of heavy vehicles (greater than 4 wheels)
 L= Left -Turn
 S= Straight
 R= Right-Turn
 HV= Heavy Vehicles
 PHF= Peak hour Factor (Peak hour volume / (4*Highest

North	South	East	West	Intv'l	Sum
				1	0
				2	0
				3	0
				4	0
				5	0
				6	0
				7	0
				8	0
Ped Totals:					0

Prepared For: Island County

TM05b033-02p