

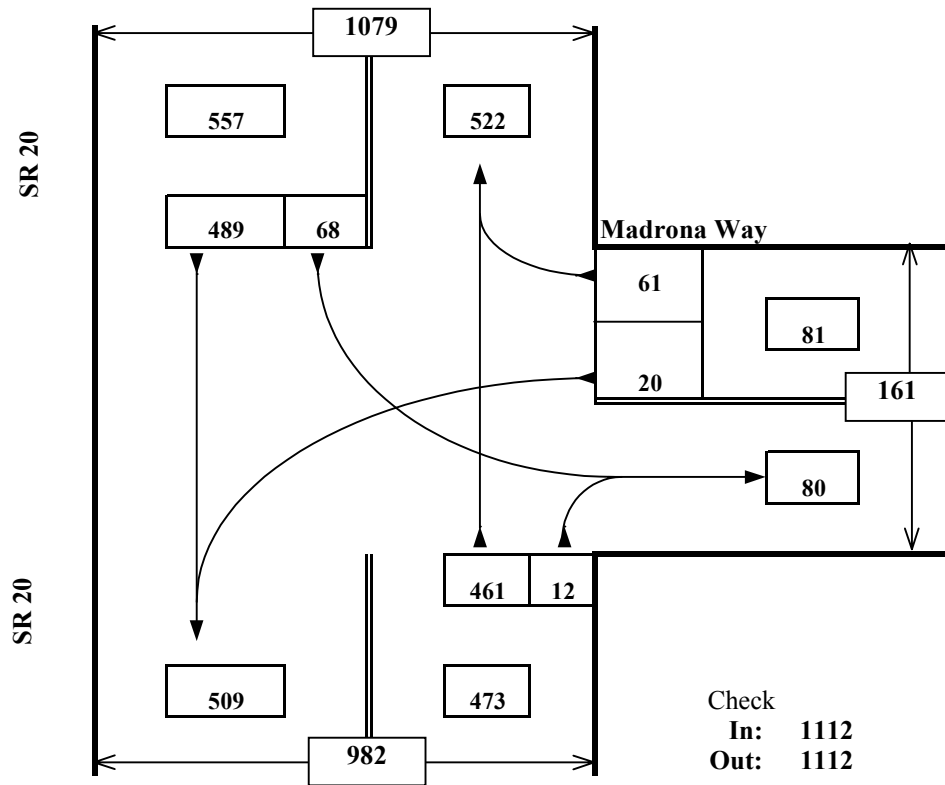


Traffic Count Consultants, Inc.

Woodinville, WA 98072

Phone: (425) 861-8866 FAX: (425) 861-8877

Turning Movement Diagram



Intersection: SR 20 @ Madrona Way
Location: Whidbey Island
Date of Count: Thurs 4/14/05
Peak Period: 3:45 P - 4:45 P
Checked By: CMW
Prepared For: Island County

	%HV	PHF
EB	n/a	n/a
WB	0.0%	0.64
NB	3.2%	0.65
SB	2.0%	0.90
Intersection	2.3%	0.78



Traffic Count Consultants, Inc. Woodinville, WA 98072

Phone: (425) 861-8866 FAX: (425) 861-8877

Vehicle Volume Summary

Intersection: SR 20 @ Madrona Way
Location: Whidbey Island

Date of Count: Thurs 4/14/05
Checked By: CMW

Time Interval Ending at	From North on (SB) SR 20				From South on (NB) SR 20				From East on (WB) Madrona Way				From West on (EB) n/a				Interval Total
	T	L	S	R	T	L	S	R	T	L	S	R	T	L	S	R	
3:45 P	0	15	115	0	2	0	95	2	0	1	0	24	0	0	0	0	252
4:00 P	3	17	121	0	4	0	89	5	0	6	0	19	0	0	0	0	257
4:15 P	5	23	118	0	8	0	98	2	0	9	0	23	0	0	0	0	273
4:30 P	2	13	110	0	2	0	92	4	0	2	0	6	0	0	0	0	227
4:45 P	1	15	140	0	1	0	182	1	0	3	1	13	0	0	0	0	355
5:00 P	2	14	103	0	1	0	112	3	0	2	0	9	0	0	0	0	243
5:15 P	1	17	89	0	1	0	91	1	0	9	0	14	0	0	0	0	221
5:30 P	1	14	118	0	3	0	78	0	0	1	0	9	0	0	0	0	220
5:45 P	0	17	109	0	1	0	76	1	0	2	0	13	0	0	0	0	218
6:00 P	2	8	102	0	0	0	83	1	0	1	0	7	0	0	0	0	202
6:15 P	6	11	84	0	3	0	107	2	0	0	0	9	0	0	0	0	213
6:30 P	1	16	108	0	3	0	85	1	0	2	0	10	0	0	0	0	222
Total Survey	24	180	1317	0	29	0	1188	23	0	38	1	156	0	0	0	0	2903

3:45 P to 4:45 P Peak Hour Summary

Total	11	68	489	0	15	0	461	12	0	20	1	61	0	0	0	0	1112
Approach	557				473				82				0				1112
%HV	2%				3%				0%				n/a				2%
PHF	0.90				0.65				0.64				n/a				0.78

PEDESTRIANS ACROSS:

Interval:	North	South	East	West	Intv'l	Sum
	1					
2						0
3						0
4						0
5						0
6						0
7						0
8						0
Ped Totals:	0	0	0	0		0

(NO PEDS)

Legend: T= Number of heavy vehicles (greater than 4 wheels)
 L= Left -Turn
 S= Straight
 R= Right-Turn
 HV= Heavy Vehicles
 PHF= Peak hour Factor (Peak hour volume / (4*Highest))

Prepared For: Island County

TM05b033-07p