

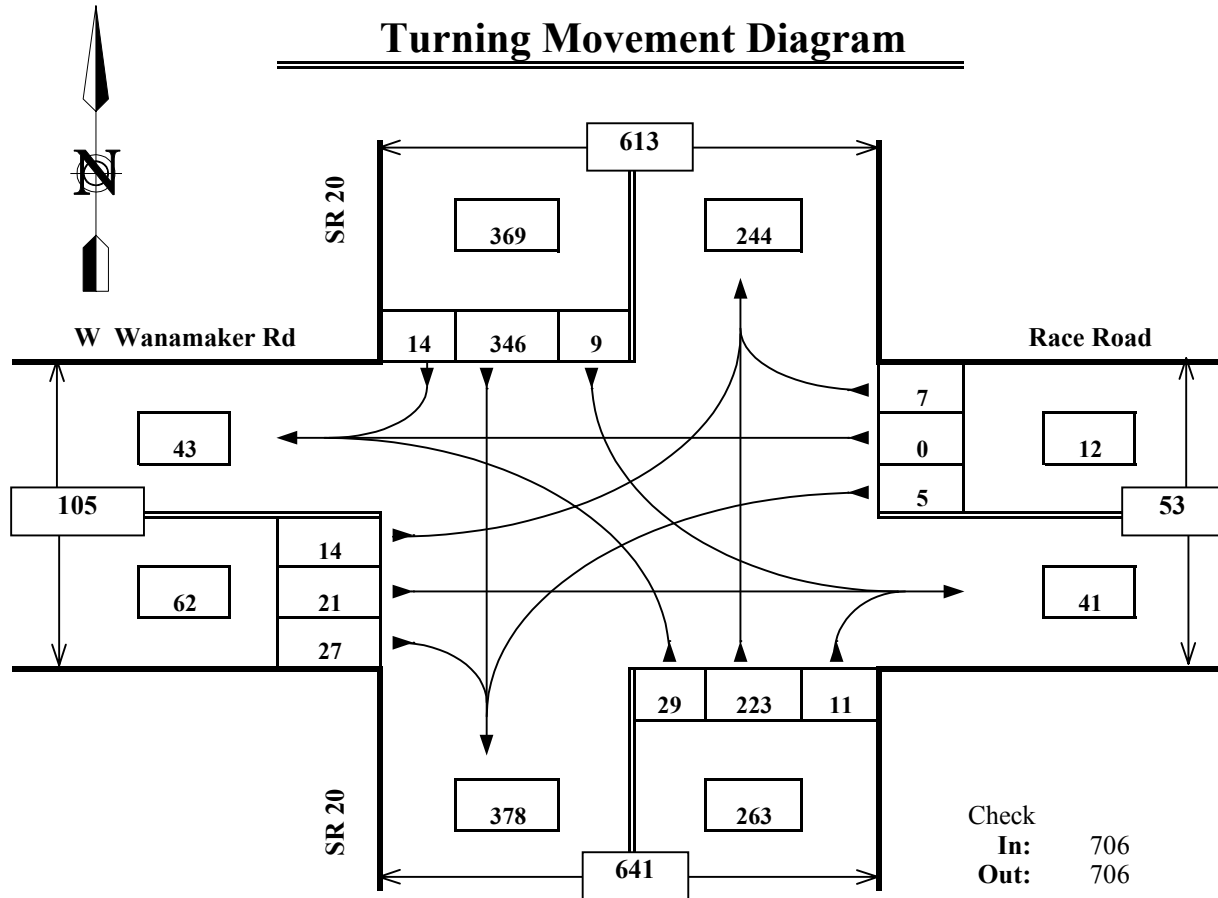


**Traffic Count Consultants, Inc.**

Woodinville, WA 98072

Phone: (425) 861-8866 FAX: (425) 861-8877

## Turning Movement Diagram



**Intersection:** SR 20/SR 525 @ Race Road  
**Location:** Whidbey Island  
**Date of Count:** Tues 4/12/05  
**Peak Period:** 4:30 P - 5:30 P  
**Checked By:** CMW

**Prepared For:** Island County

	%HV	PHF
<b>EB</b>	1.6%	0.55
<b>WB</b>	0.0%	1.00
<b>NB</b>	6.5%	0.80
<b>SB</b>	3.5%	0.83
<b>Intersection</b>	4.4%	0.87



**Traffic Count Consultants, Inc.** Woodinville, WA 98072

Phone: (425) 861-8866

FAX: (425) 861-8877

### Vehicle Volume Summary

**Intersection:** SR 20/SR 525 @ Race Road  
**Location:** Whidbey Island

**Date of Count:** Tues 4/12/05  
**Checked By:** CMW

Time Interval Ending at	From North on (SB) SR 20				From South on (NB) SR 20				From East on (WB) Race Road				From West on (EB) W Wanamaker Rd				Interval Total
	T	L	S	R	T	L	S	R	T	L	S	R	T	L	S	R	
3:45 P	5	3	72	4	6	4	48	4	0	2	0	1	1	2	0	5	145
4:00 P	3	2	88	3	3	8	64	1	0	4	0	2	0	4	0	6	182
4:15 P	3	3	98	7	7	2	38	3	1	4	0	4	0	2	0	5	166
4:30 P	5	4	63	2	4	6	58	1	0	2	0	4	0	0	0	3	143
4:45 P	4	0	83	2	5	6	39	2	0	1	0	2	1	9	1	18	163
5:00 P	5	4	105	2	5	7	74	1	0	2	0	1	0	1	0	5	202
5:15 P	3	2	73	6	4	4	48	2	0	0	0	3	0	1	20	1	160
5:30 P	1	3	85	4	3	12	62	6	0	2	0	1	0	3	0	3	181
5:45 P	1	2	64	3	1	4	50	3	0	1	0	1	1	0	0	5	133
6:00 P	0	3	68	2	1	2	50	2	0	2	0	2	0	0	1	5	137
6:15 P	1	2	49	1	4	1	34	1	0	1	1	0	1	9	0	18	117
6:30 P	0	1	46	0	1	3	46	2	0	1	0	0	0	1	0	5	105
Total Survey	31	29	894	36	44	59	611	28	1	22	1	21	4	32	22	79	1834

#### 4:30 P to 5:30 P Peak Hour Summary

Total	13	9	346	14	17	29	223	11	0	5	0	7	1	14	21	27	706
Approach	369				263				12				62				706
%HV	4%				6%				0%				2%				4%
PHF	0.83				0.80				1.00				0.55				0.87

**PEDESTRIANS :**

North South East West Totals

1					0
2					0
3		2			2
4					0
5		2			2
6					0
7					0
8					0
9					0
10			2	1	3
	0	4	2	1	7

**Legend:** T= Number of heavy vehicles (greater than 4 wheel  
 L= Left -Turn  
 S= Straight  
 R= Right-Turn  
 HV= Heavy Vehicles  
 PHF= Peak hour Factor (Peak hour volume / (4\*High

**Prepared For:** Island County

TM05b033-09p