

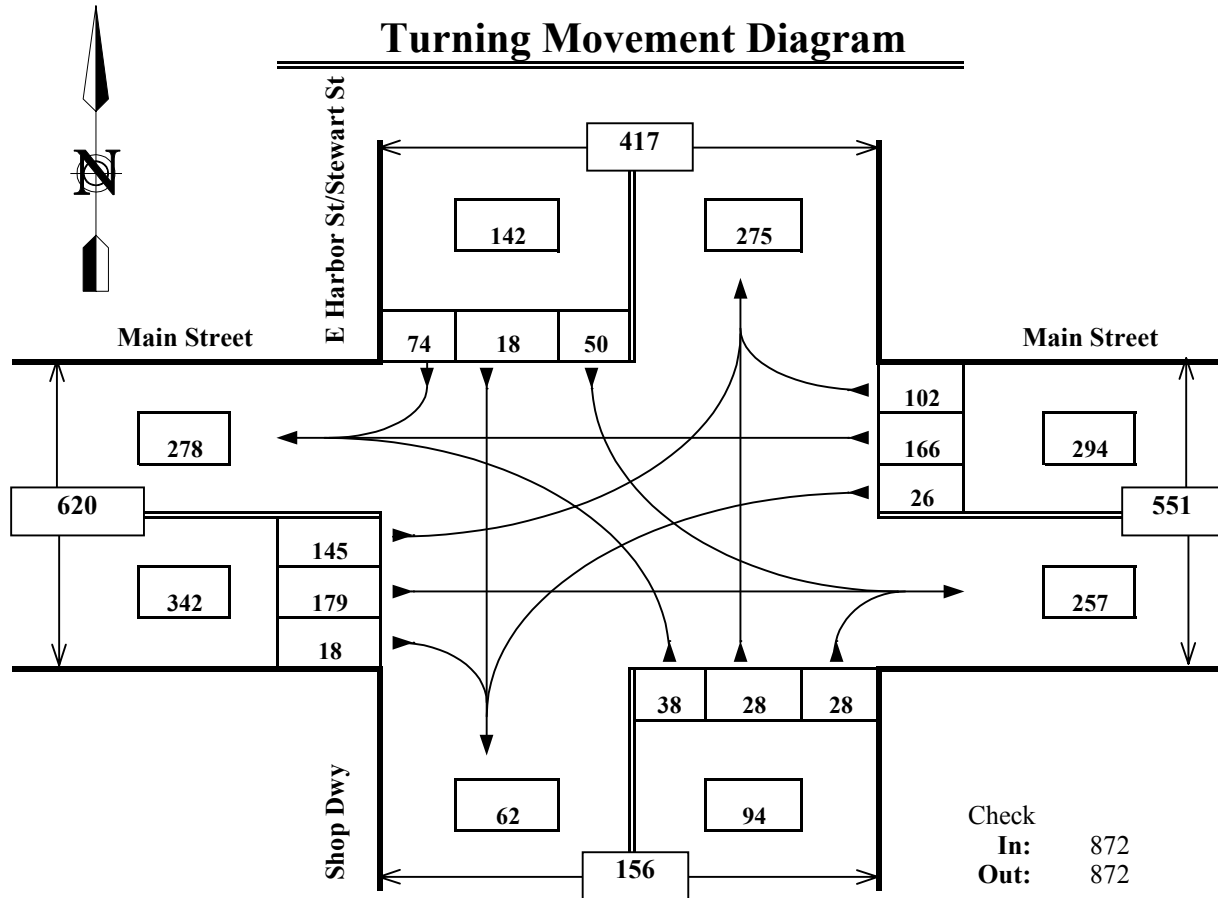


**Traffic Count Consultants, Inc.**

Woodinville, WA 98072

Phone: (425) 861-8866 FAX: (425) 861-8877

## Turning Movement Diagram



**Intersection:** Main Street @ East Harbor Road  
**Location:** Whidbey Island  
**Date of Count:** Thurs 4/12/05  
**Peak Period:** 3:45 P - 4:45 P  
**Checked By:** CMW

**Prepared For:** Island County

	%HV	PHF
<b>EB</b>	2.0%	0.93
<b>WB</b>	2.7%	0.85
<b>NB</b>	0.0%	0.78
<b>SB</b>	4.2%	0.67
<b>Intersection</b>	2.4%	0.93



**Traffic Count Consultants, Inc.** Woodinville, WA 98072

Phone: (425) 861-8866

FAX: (425) 861-8877

### Vehicle Volume Summary

**Intersection:** Main Street @ East Harbor Road  
**Location:** Whidbey Island

**Date of Count:** Thurs 4/12/05  
**Checked By:** CMW

Time Interval Ending at	From North on (SB) E Harbor St/Stewart St				From South on (NB) Shop Dwy				From East on (WB) Main Street				From West on (EB) Main Street				Interval Total
	T	L	S	R	T	L	S	R	T	L	S	R	T	L	S	R	
3:45 P	1	3	1	14	0	8	9	3	1	3	37	19	1	32	40	3	172
4:00 P	2	4	6	9	0	10	1	6	3	9	42	27	1	43	36	6	199
4:15 P	1	8	3	18	0	11	9	5	1	9	45	32	2	24	45	4	213
4:30 P	2	24	6	23	0	10	3	9	2	3	37	18	2	49	39	4	225
4:45 P	1	14	3	24	0	7	15	8	2	5	42	25	2	29	59	4	235
5:00 P	1	9	4	16	0	1	8	4	2	2	45	16	1	20	39	3	167
5:15 P	0	11	10	27	0	9	7	6	3	4	56	21	1	26	35	6	218
5:30 P	1	5	5	31	0	0	6	7	4	4	36	13	1	14	33	1	155
5:45 P	2	8	3	24	0	6	4	4	4	6	26	5	1	14	26	5	131
6:00 P	0	12	3	21	0	5	4	3	3	4	25	11	0	15	22	3	128
6:15 P	0	6	3	10	0	4	7	5	2	2	27	5	1	14	27	2	112
6:30 P	0	5	2	14	0	6	3	5	0	2	18	7	0	8	22	3	95
<b>Total Survey</b>	<b>11</b>	<b>109</b>	<b>49</b>	<b>231</b>	<b>0</b>	<b>77</b>	<b>76</b>	<b>65</b>	<b>27</b>	<b>53</b>	<b>436</b>	<b>199</b>	<b>13</b>	<b>288</b>	<b>423</b>	<b>44</b>	<b>2050</b>

#### 3:45 P to 4:45 P Peak Hour Summary

<b>Total</b>	6	50	18	74	0	38	28	28	8	26	166	102	7	145	179	18	872
<b>Approach</b>	142				94				294				342				872
<b>%HV</b>	4%				0%				3%				2%				2%
<b>PHF</b>	0.67				0.78				0.85				0.93				0.93

**PEDESTRIANS :**

North South East West Totals

1	5	4	2	0	11
2	4	3	0	0	7
3	2	1	1	0	4
4	1	0	0	0	1
5	0	3	1	0	4
6	0	0	0	0	0
7	2	0	0	0	2
8	0	0	0	0	0
9					0
10					0
<b>Total</b>	<b>14</b>	<b>11</b>	<b>4</b>	<b>0</b>	<b>29</b>

**Legend:** T= Number of heavy vehicles (greater than 4 wheel  
 L= Left -Turn  
 S= Straight  
 R= Right-Turn  
 HV= Heavy Vehicles  
 PHF= Peak hour Factor (Peak hour volume / (4\*High

**Prepared For:** Island County